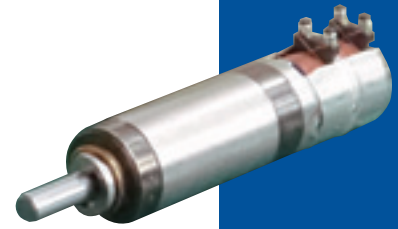


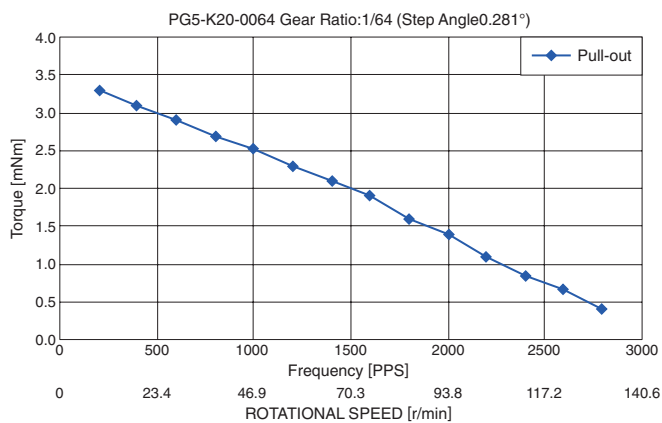
## PM Stepping Motor with GearBox

### Reference Characteristics

Drive Voltage	3 [V]
Drive Method	2 - 2 2 - 2 phase
Drive Circuit	BIPOLAR CONST.VOLT.
Resistance / Phase	20 [ $\Omega$ ]
IC Driver IC	LB1836M
Insulation Resistance	1 M [ $\Omega$ ] Min. at DC100 [V]
Dielectric Strength	AC 100 [V] 1 [min]
Class of Insulation	Class E (U - < Except lead wire)
Ambient Temperature Range	- 10 [ $^{\circ}$ C] ~ + 50 [ $^{\circ}$ C]
Radial Play	0.1 [mm]
Axial Play	0.2 [mm]



### Torque Characteristics



### Application

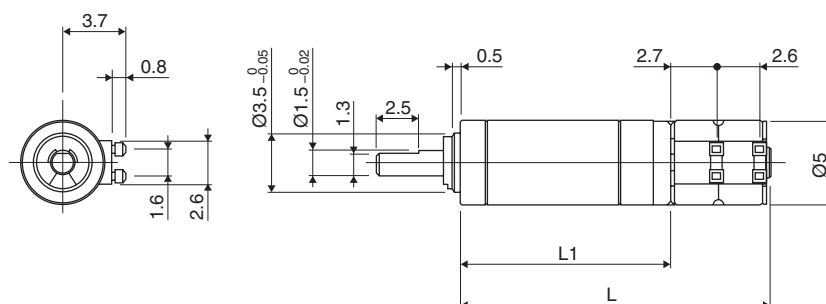
Optical Equipment : Projector / Security Camera

Medical Equipment : Blood Analyzer / Tube Pump

Industrial Equipment : Flow Control Valves /  
Antenna Adjustment Device

Power Tools : Drills / Drivers

### Outline



### Lineup

Model	Step Angle [deg]	Gear Ratio [1 : X]	Rated Torque [mNm (gf cm)]	Maximum Instantaneous Torque [mNm (gf cm)]	Gearhead length L1 [mm]	Full length L [mm]
PG5-K20-0004	4.500	1 : 4	5 (50)	10 (102)	12.45	18.35
PG5-K20-0016	1.125	1 : 16	10 (102)	20 (204)	14.95	20.85
PG5-K20-0064	0.281	1 : 64	15 (152.9)	30 (306)	17.45	23.35
PG5-K20-0256	0.070	1 : 256	20 (204)	40 (408)	19.95	25.85
※ PG5-K20-1024	0.018	1 : 1024			22.45	28.35

※Please contact us due to specialty.